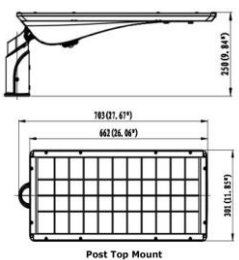
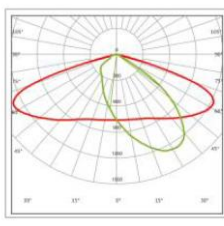
	Product Name	Majimoto 20W Canopus Series Solar Street Light
	Item No.	SSL-A-20W

Optical Data			
LED Type	SMD 2835	CCT	4000K(3000K, 5000K)
System Efficacy	200(±5%)LM/W(4000K Ra70)	CRI	Ra70(Ra80 Optional)
Luminous Flux	4000(±5%)LM(4000K Ra70)	Beam Angle	See Light Distribution Curve



Electrical Data			
Battery	LiFePO4 battery	Battery Capacity	153.6Wh-12Ah
Solar Panel	Mono-crystalline	Solar Panel Wattage	30W
Charging Time	>6H	Operating Time	8H/2-4 Days Intelli mode

Others			
System Power Consumption	20W	Storage Temperature	0~+55℃
Housing	Aluminium Alloy+ PC Lenses	Operating Temperature	0~+55℃
Ingress Protection	IP65	Operating Humidity	15~90%RH
LED Life Span	>50000 Hours	EPA	2.56ft²/0.23m²
Outlook Dimensions	662x301x148mm	Luminaire Net Weight	5.7kg
Certification	CE	Gross Weight	7.9kg

Optional Info.	
Installation Method	Post Top
Fixture Color	Silver
Intelligent Control	PIR+Remote Control

Physical Dimensions	Light Distribution Curve
 <p>Post Top Mount</p>	

Accessories

 <p>±30° Pole Clamp Bracket</p>	 <p>±15° tilt adjustable Spigot for dia.34/ 42/ 60/ 76mm pole.</p>
---	---