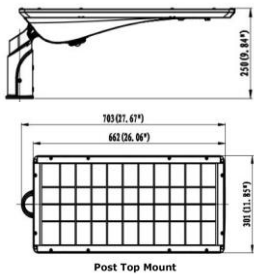
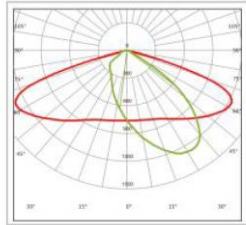


	<b>Product Name</b>	Majimoto 10W Canopus Series Solar Street Light	
	<b>Item No.</b>	SSL-A-20W	
<b>Optical Data</b>			
LED Type	SMD 2835	CCT	4000K(3000K, 5000K)
System Efficacy	200(±5%)LM/W(4000K Ra70)	CRI	Ra70(Ra80 Optional)
Luminous Flux	2000(±5%)LM(4000K Ra70)	Beam Angle	See Light Distribution Curve
<b>Electrical Data</b>			
Battery	LiFePO4 battery	Battery Capacity	76.8Wh-6Ah
Solar Panel	Mono-crystalline	Solar Panel Wattage	30W
Charging Time	>3H	Operating Time	8H/2-4 Days Intelli mode
<b>Others</b>			
System Power Consumption	10W	Storage Temperature	0~+55℃
Housing	Aluminium Alloy+ PC Lenses	Operating Temperature	0~+55℃
Ingress Protection	IP65	Operating Humidity	15~90%RH
LED Life Span	>50000 Hours	EPA	2.56ft <sup>2</sup> /0.23m <sup>2</sup>
Outlook Dimensions	662x301x148mm	Luminaire Net Weight	5.0 kg
Certification	CE	Gross Weight	7.2.kg
<b>Optional Info.</b>			
Installation Method	Post Top		
Fixture Color	Silver		
Intelligent Control	PIR+Remote Control		
<b>Physical Dimensions</b>		<b>Light Distribution Curve</b>	
			

**Accessories**

	
<b>±30° Pole Clamp Bracket</b>	<b>±15° tilt adjustable Spigot for dia.34/ 42/ 60/ 76mm pole.</b>